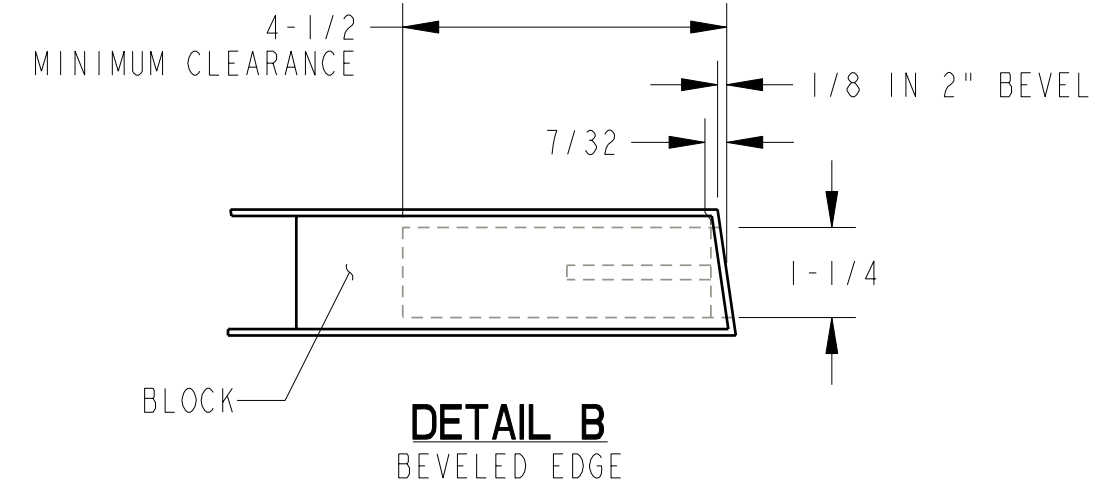
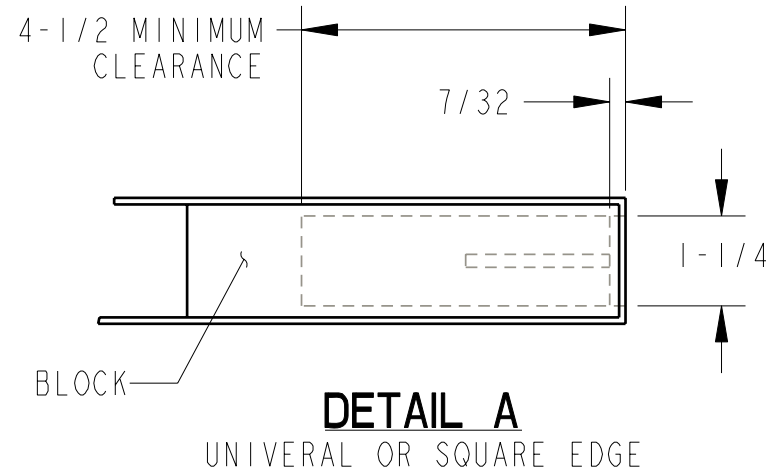
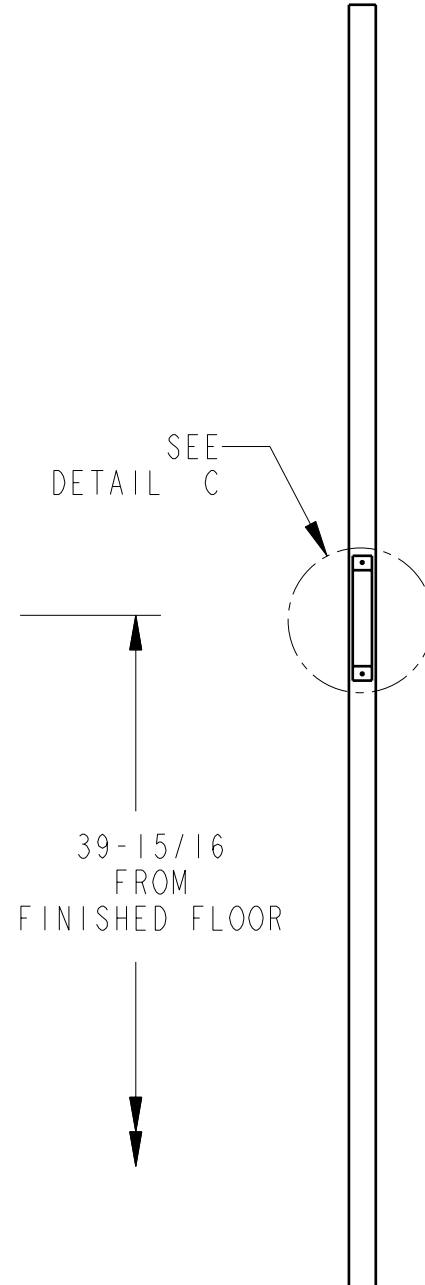
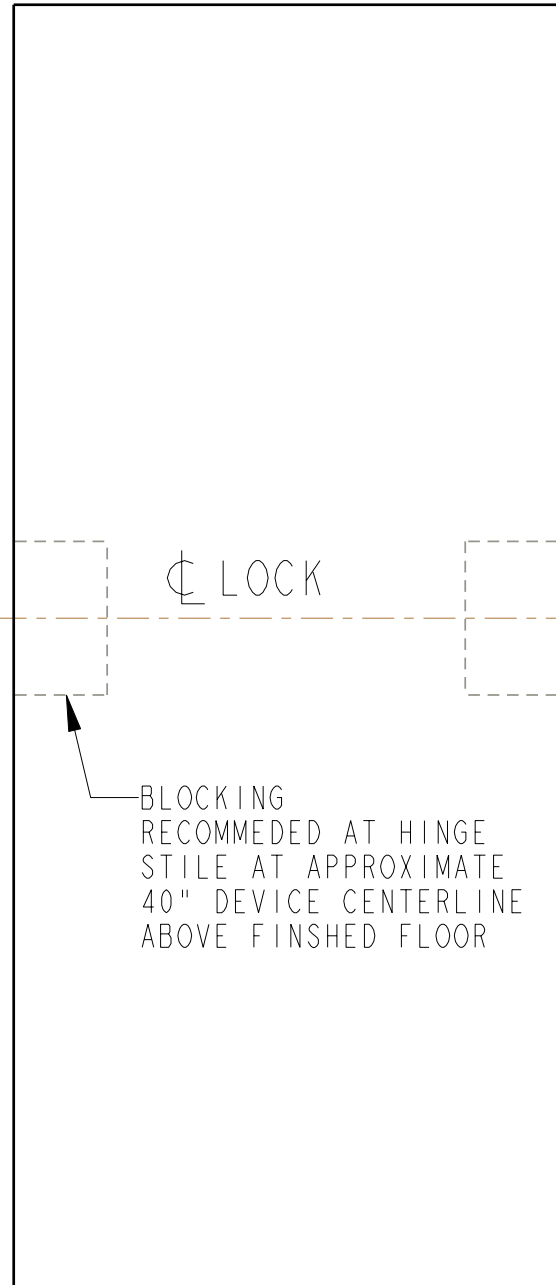
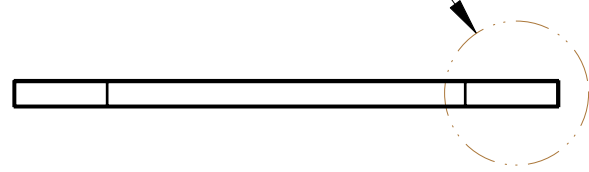
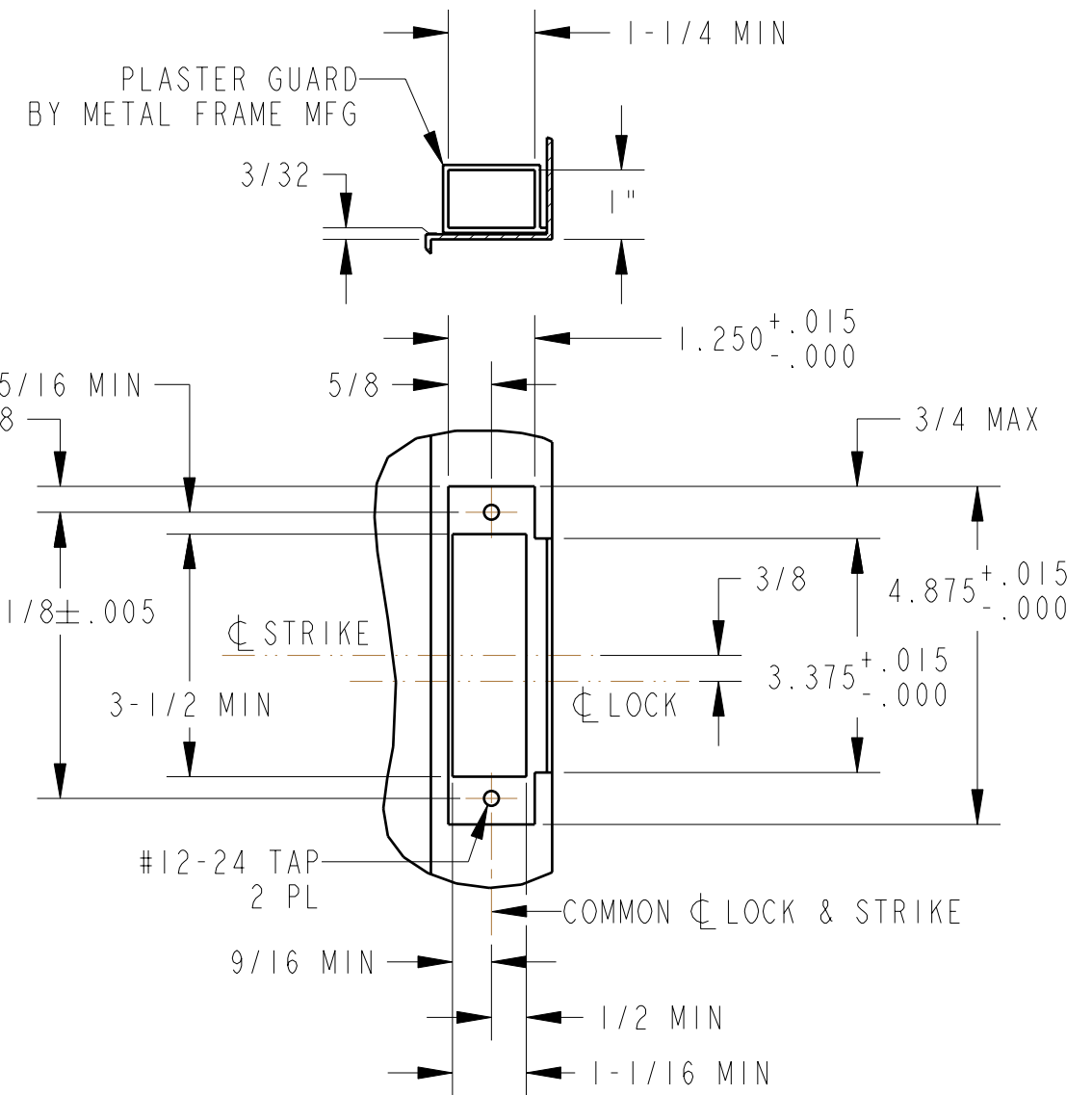
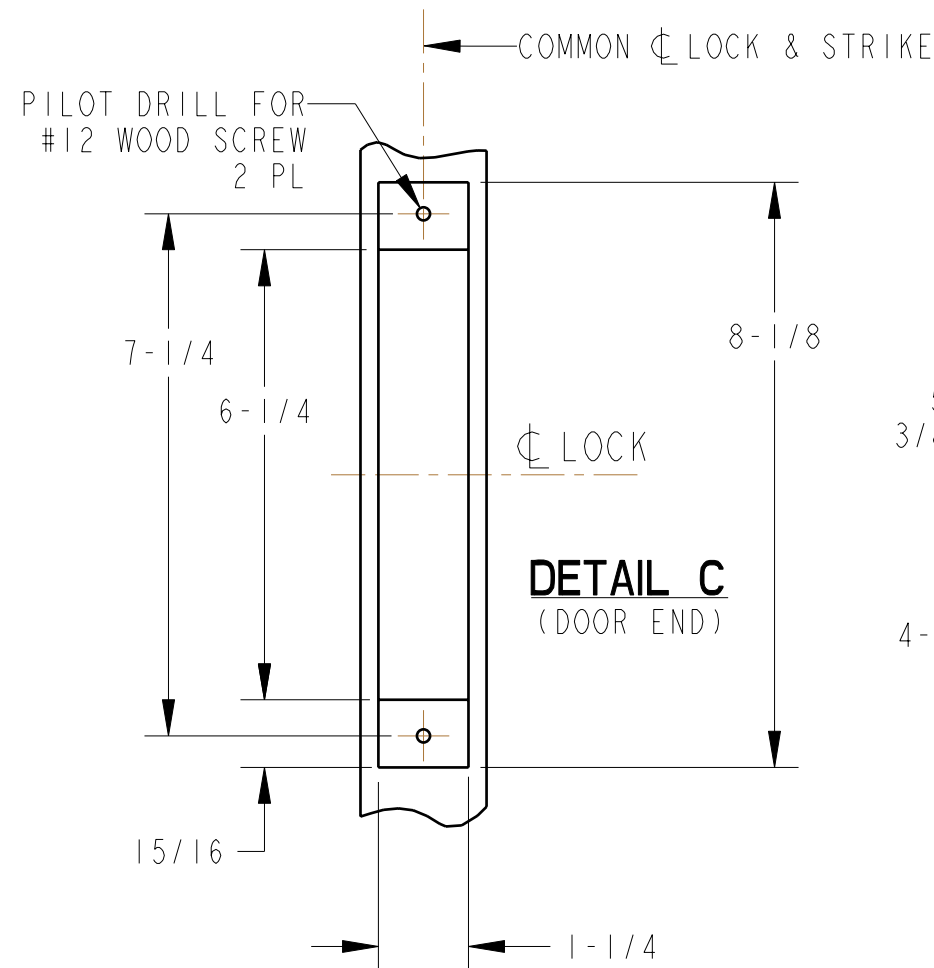


SEE DETAIL A OR B



METAL FRAME DIMENSIONS - 90 STRIKE



RESPONSIBILITY
 Door and Frame Manufacturers are responsible for providing adequate construction or reinforcements for proper installation of hardware shown. All architectural builders hardware must be installed on properly reinforced doors and frames regardless of the type, material, or method of construction.

**WOOD DOOR & FRAME PREPARATION FOR MORTISE DOOR LOCKS IN 1-3/4\"/>

(CONFORMS TO ANSI A115.1)**



SCALE: NTS

DATE: 8/29/06

TEMPLATE NO: T2001