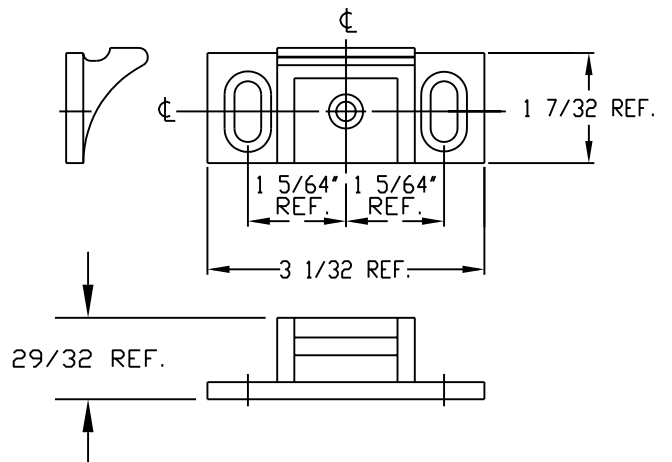
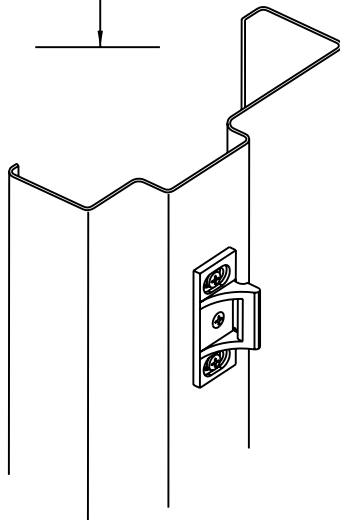


40" (1016) HEIGHT (RECOMMENDED)
37" (940) MIN. HEIGHT TO FINISHED FLOOR

THIS HOLE TO BE DRILLED AND TAPPED FOR 1/4-20 THREADS AFTER INSTALLATION AND ADJUSTMENT OF STRIKE



HDG. _____ DR. _____

RESPONSIBILITY

Door and Frame Manufacturers are responsible for providing adequate construction or reinforcements for proper installation of hardware shown. All architectural builders hardware must be installed on properly reinforced doors and frames regardless of the type, material or method of construction.

TEMPLATE
99 STRIKE

DETEX
CORPORATION

DO NOT SCALE DRAWING

DATE 8/9/02

TEMPLATE NUMBER T1111